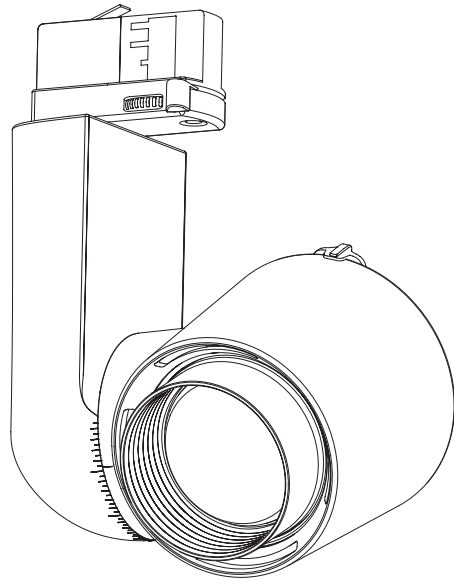


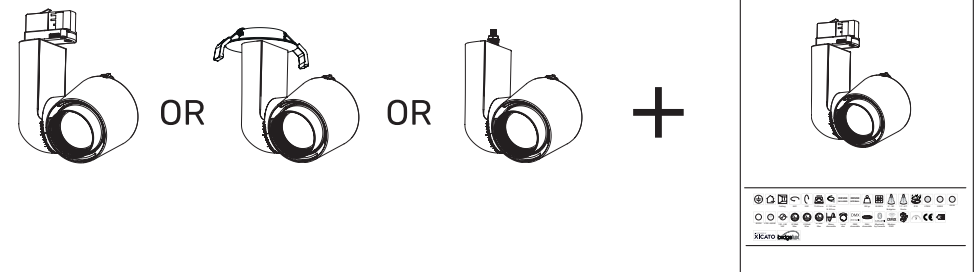
Index	2	Installation Jade C Zoom	5	Programming	10
Safety information	2	Installation Jade B Zoom	6	Wireless DMX	10
Content	2	Accessory assembly	7	Bluetooth by Casambi	10
Technical	3	Snoot assembly	8	Programming table	11
Specifications	3	Accessories	9	Factory settings	11
Installation Jade Zoom	4	Accessory overview	9	List of symbols	12



SAFETY INFORMATION

Make sure all connectors are connected properly	Use a source of AC power that complies to local electrical codes	Block access below the work area when maintaining the unit	Don't modify or install genuine parts on this product	Don't install in a flammable or explosive area	Warning! Some surfaces can be hot

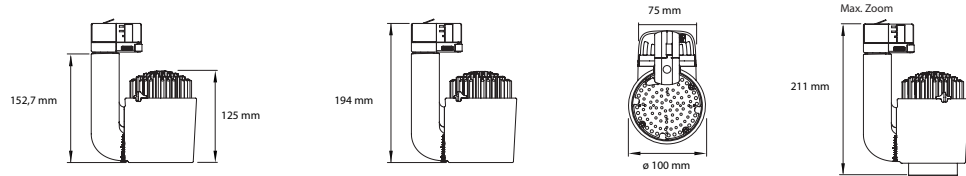
CONTENT



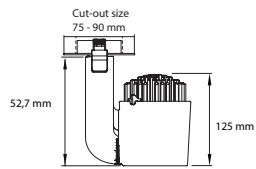
4000K	2700-6500K	100-240 VAC	22 Watt Max.	25 Watt Max.	35 Watt Max.	Mains dimmable	Local dim	DMX dimmable	DMX dimmable	DALI dimmable	CAS/MBI Bluetooth by Casambi	DMX Wireless DMX	5 YEAR WARRANTY	CE	A+

LIGHTSOURCE BY **XICATO** **bridgelux**

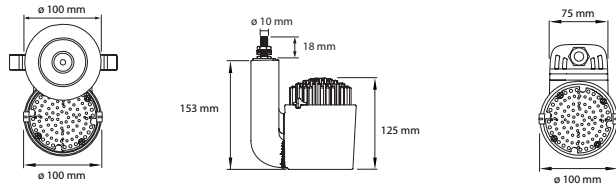
Jade Zoom



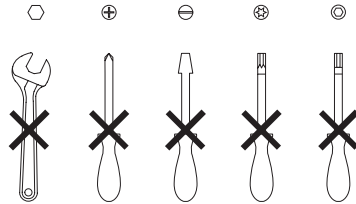
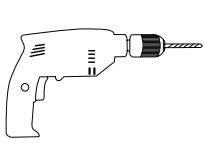
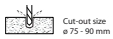
Jade C Zoom



Jade B Zoom



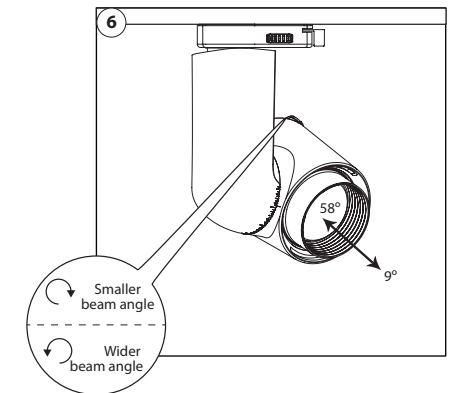
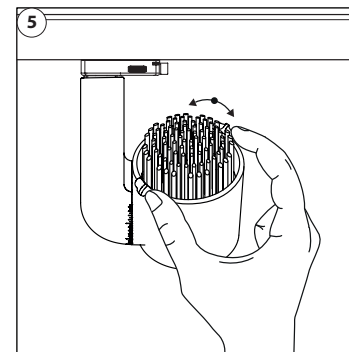
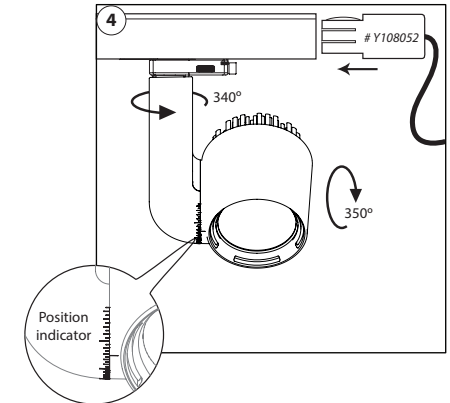
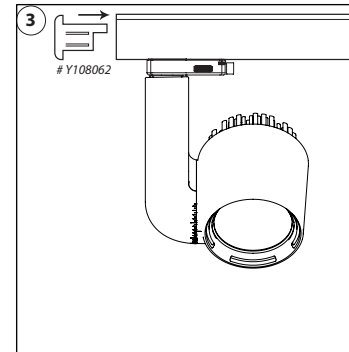
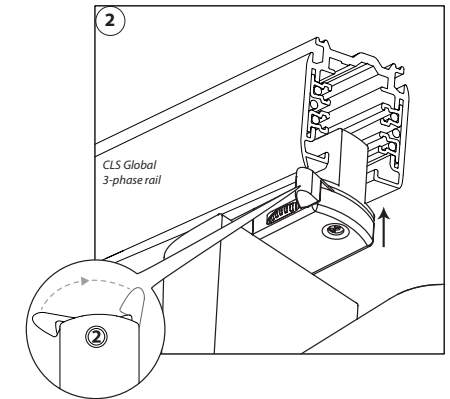
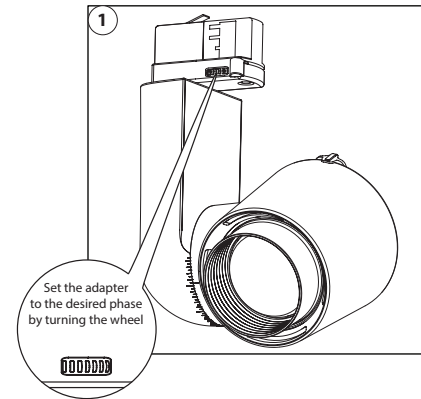
Tools



SPECIFICATIONS

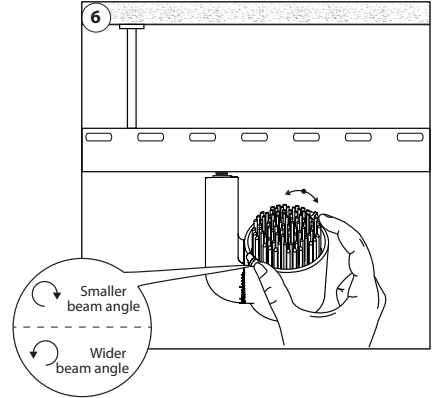
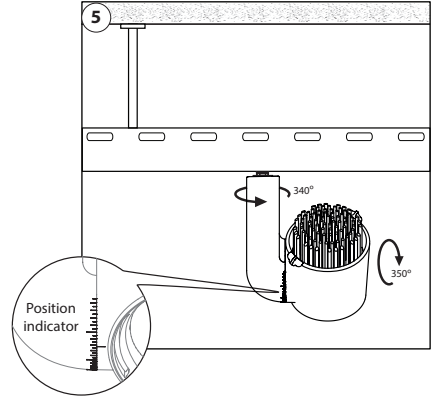
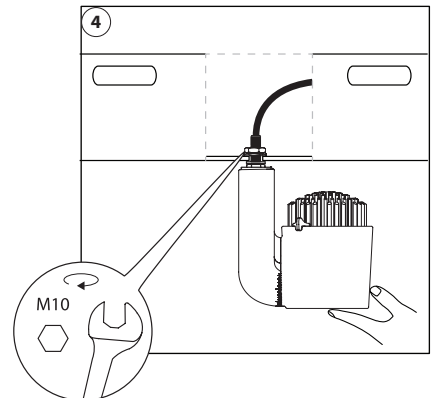
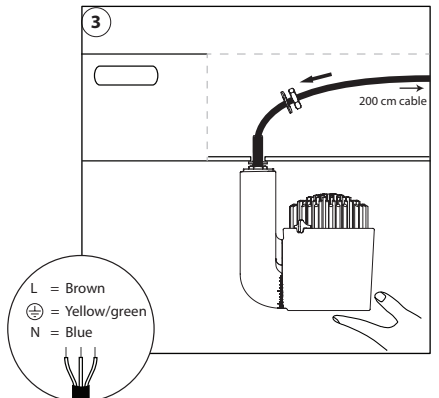
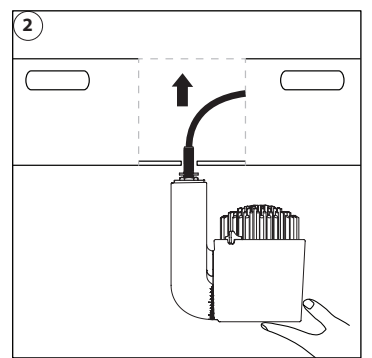
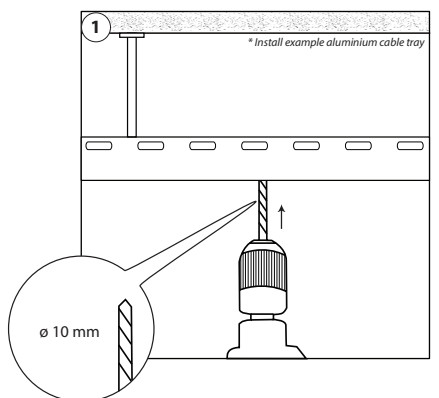
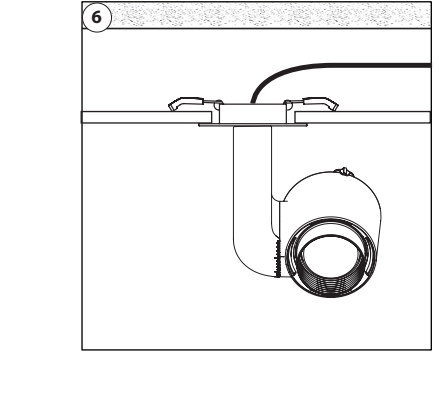
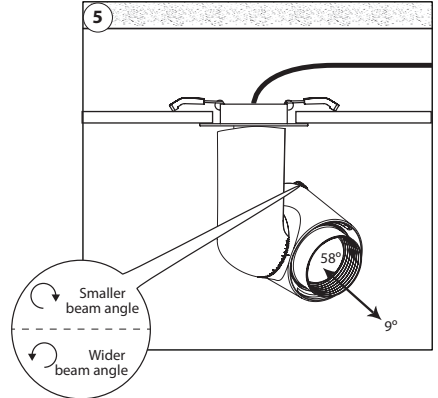
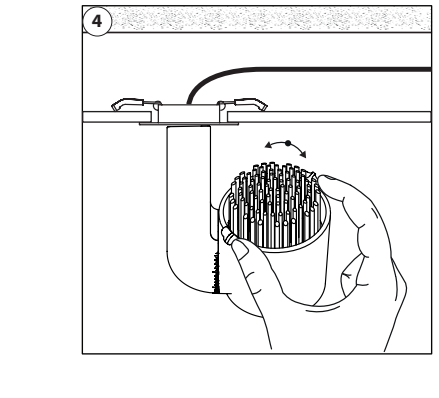
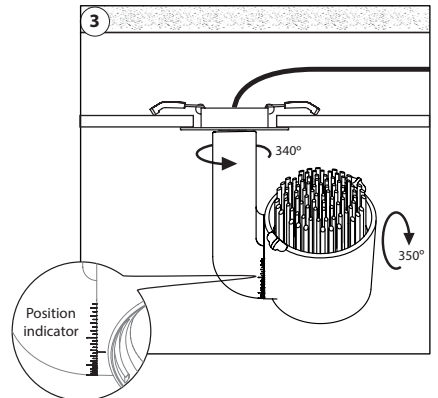
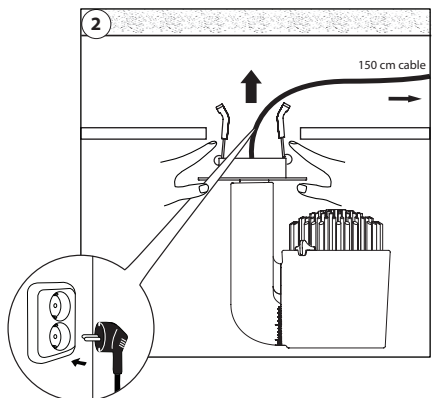
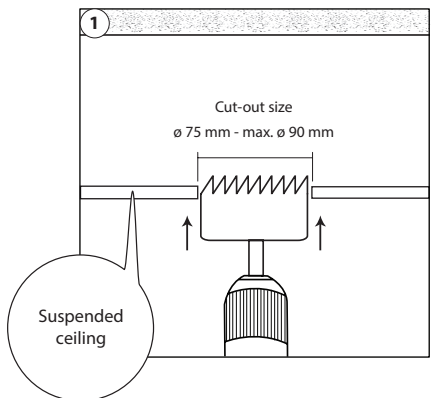
LED:	High Power LED
Available colours:	Bridgelux : 2700K, 3000K, 3500K & 4000K Xicato : 2700K, 3000K, 3500K & 4000K
Tunable White:	Bridgelux : 2700K-6500K
CRI:	CRI=97
Beam angle:	Bridgelux : 9° - 58° Xicato : 11° - 67°
Power supply:	100 - 240 VAC
Power consumption:	Max. 22, 25 or 35 Watt
Housing:	Black, grey or white PC (PC-ABS V0) Heatsink black or white coated aluminium
Weight:	925 gram
IP value:	IP20
Measurements:	152.7 x 100 x 100 mm (h x w x d)
Ambient temperature:	-10° C till +40° C

2022 CLS-LED BV. All rights reserved. Information subject to change without notice, CLS-LED BV and all affiliated companies disclaim liability for injury, damage direct or indirect loss, consequential or economic loss or any other loss occasioned by the use of, inability to use or reliance on the information contained in this manual. No part of this manual may be reproduced, in any form or by any means, without permission in writing from CLS-LED BV. Other legal information can be found in our General conditions, found on the back of your CLS-LED BV invoice, inside the CLS catalogue or on our website www.cls-led.com/General-Terms.pdf



INSTALLATION JADE C ZOOM

INSTALLATION JADE B ZOOM



ACCESSORY ASSEMBLY

SNOOT ASSEMBLY

1

Accessory holder
Y106221
(Consists of 2 screw parts A1 & A2)

A

Honey Comb Louvre
Y106222

B

Oval beam shaper
Y106224

C

2

A1

A2

1

Accessory holder
Y106221
(Consists of 2 screw parts A1 & A2)

A

Snoot segment
Y106225

B

2

A1

A2

Y106221 Accessory holder

3

A1

A1

A2

B

A2

C

* Filter holder set
Y106223

4

Click!

3

Max. up to 3 snoot segments (6 cm)

A1

B

B

* See step 4

4

Each snoot section has a slot, where one can use an accessory. Note: When the honeycomb louvre is being used in combination with a filter (oval beam, colour correction), the filter holder set is not needed.

5

A2

6

Click!

ACCESSORIES












ACCESSORIES

Y110855	CLS 3-phase multi adapter grey XTSA 68
Y110865	CLS 3-phase multi adapter white XTSA 68
Y110875	CLS 3-phase multi adapter black XTSA 68
Y110880	CLS T-connector grey for 3-phaserail, ground left
Y110881	CLS T-connector black for 3-phaserail, ground left
Y110882	CLS T-connector white for 3-phaserail, ground left
Y110925	CLS 3-phase rail 1mtr aluminum XTS 4100
Y110926	CLS Global 3-phase rail 2 metre aluminum XTS 4200
Y110927	CLS Global 3-phase rail 2mtr black XTS 4200
Y110928	CLS Global 3-phase rail 3mtr aluminum XTS 4300
Y110929	CLS Global 3-phase rail 4mtr aluminum XTS 4100
Y110930	CLS Global 3-phase rail 3mtr white XTS 4300
Y110931	CLS Global 3-phase rail 3mtr black XTS 4300
Y110932	CLS Global 3-phase rail 4mtr black XTS 4400
Y110935	CLS end piece for 3-phase rail grey XTS 41
Y110938	CLS end piece for 3-phase rail black XTS 41
Y110939	CLS end piece for 3-phase rail white XTS 41-3
Y110945	CLS connection box for 3-phase rail, grey XTS 11
Y110946	CLS connection box for 3-phase rail, grey XTS 12
Y110950	CLS connection box for 3-phase rail black XTS 11

Y110954	CLS L-connector grey for 3-faserail, ground left
Y110955	CLS L-connector grey for 3-faserail, ground right
Y110960	CLS connect piece gray (connect rail-rail) XTS
Y110961	CLS connect piece white (connect rail-rail) XTS21
Y110962	CLS connect piece black (connect rail-rail) XTS
Y110965	CLS hanging bracke for 3-phase rail, grey SKB16
Y110966	CLS hanging set, grey SKB12 with 1.5 mtr steel
Y110970	CLS bending tool XTSV 12
Y110980	CLS round mountingdisk GA70 grey
Y110985	CLS round mountingdisk GA70 white
Y110990	CLS round mountingdisk GA70 black
Y106149-B	Accessory ring Black
Y106149-W	Accessory ring White
Y106202-B-1	CLS Jade Zoom Barndoor, black
Y106202-W-1	CLS Jade Zoom Barndoor, white (black inside)
Y106221	Accessory holder
Y106222	Honeycomb Louvre
Y106223	Filter holder set
Y106224	Oval beam shaper
Y106225	Snoot segment, 2 cm
Y106226	CLS Jade Zoom Super Spot Set

Accessory Overview

Choose your accessory on the left, you need the items marked with the ✓ *

	 Y106221	 Y106202-X-1	 Y106222	 Y106225	 Y106223	 Y106224
 Barndoor		✓				
 Honeycomb	✓		✓			
 Snoot	✓			✓		
 Filter set	✓				✓	
 Oval Beam set	✓				✓	✓

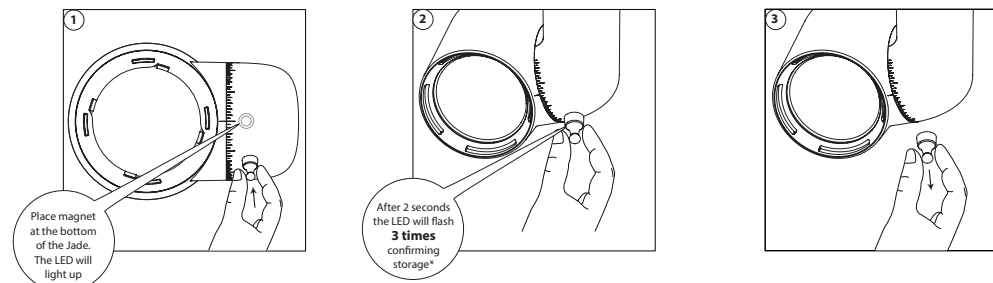
*All accessories can be combined together

PROGRAMMING

All settings can be configured via DMX. Settings can be configured at once or separately. When one or a couple settings needs to be changed just leave all other setting values zero. This keeps those settings unchanged. Please check the table for more information.

Always use a DMX controller with digital interface. If not available, you can purchase the CLS D-ta DMX addresser unit (#122200).

First make sure to set the DATA on the DMX controller. To program the setting into the LED fixture follow the next steps.



* If the LEDs flashes 10 times, something went wrong. Please try again. If the problem continues to occur, please contact your local sales distributor.

WIRELESS DMX

See the Manual of Wireless Solutions. The Manual can be found on our CLS website, in the Downloads section. Or use the link below <https://www.cls-led.com/wp-content/uploads/cls-files/W-DMX-manual.pdf>

Unlink procedure

When the fixture does not receive a DMX signal (DMX controller off), place the magnet on the bottom of the fixture for 5 seconds. Slow flash indicates that the fixture is unlinked.

BLUETOOTH BY CASAMBI

For Casambi controlled fixtures, see the manual of Casambi. The Manual can be found on our CLS website, in the Downloads section. Or use the link below:

https://www.cls-led.com/wp-content/uploads/cls-products/CLS_CASAMBI/MANUAL/Manual_Casambi_controlsistem_EN.pdf

PROGRAMMING TABLE

LIST OF SYMBOLS

PROGRAMMING TABLE				
DMX	Function	Data	Parameters	Description
CH1	Set address 001 to 255	0	0 = no change	Use this DMX channel to set address from 001 to 255. The configured DMX address is called "n"
		1...255	DMX address = 1...255	
CH2	Set address 256 to 508	0	no change	Use this DMX channel to set address from 256 to 508. The configured DMX address is called "n"
		1...255	DMX address = 256...508	
CH3	Static behavior	0	no change	If no DMX is present the fixture will respond like set in this function.
		1	last DMX value	
		2	output off	
		3	load static values	
CH4	Soft dim	0	no change	Soft dim will interpolate between the DMX values. This function makes the dim curve smoother
		1	off	
		2	on	
CH5	Master control	0	no change	If master is first channel is selected the channel will be DMX channel "n". If master is last channel is selected the channel will be "n+x" ("x" is calculated in the output patch).
		1	no master used	
		2	master is first channel	
		3	master is last channel	
CH6	Output 1 patch	0	no change	Each output channel can be patched to respond to the desired DMX channel. This enables the user to mix up the colours according to the controller that is used.
		1	DMX channel n	
		2	DMX channel n+1	
		3	DMX channel n+2	
		4	DMX channel n+3	
CH7	Output 2 patch	0	no change	Example: all outputs are patched as 1 All outputs will be controlled by DMX channel "n". If master is used total DMX channels will be 2 otherwise it uses 1 channel ("x" = 1).
		1	DMX channel n	
		2	DMX channel n+1	
		3	DMX channel n+2	
		4	DMX channel n+3	
CH8	Output 3 patch	0	no change	Example: output 1&2 are patched as 1 and 3&4 are patched as 2 Output 1&2 will be controlled by DMX channel "n". Output 3&4 will be controlled by DMX channel "n+1".
		1	DMX channel n	
		2	DMX channel n+1	
		3	DMX channel n+2	
		4	DMX channel n+3	
CH9	Output 4 patch	0	no change	If master is used total DMX channels will be 3 otherwise it uses 2 channels ("x" = 2).
		1	DMX channel n	
		2	DMX channel n+1	
		3	DMX channel n+2	
		4	DMX channel n+3	
CH10	Static output 1	0	no change	Each output channel can be set to a static intensity.
		1	output off	
CH11	Static output 2	0	no change	If no DMX is present and static behavior is set to "load static values". The outputs will be set to the configured intensity values.
		1	output off	
CH12	Static output 3	0	no change	
		1	output off	
CH13	Static output 4	0	no change	
		1	output off	
CH14	Load default settings	0	no change	This function resets all settings to the Factory setting. Check Factory settings.
		1	Load Factory settings	

FACTORY SETTINGS											
Address	Static behavior	Soft dim	Master control	Output patch 1	Output patch 2	Output patch 3	Output patch 4	Static output 1	Static output 2	Static output 3	Static output 4
1	1	Off	Off	1 (R)	2 (G)	3 (B)	4 (W)	255	255	255	255

	Protection class One, two or three		Retail & Food LED modules Clothing, furniture, kitchens, jewellery, shoes, bread, meat, fish and vegetables & fruit.
	Application area Indoor or outdoor		Colour Available colours: Amber, blue, red or green
	Application area Floor, wall or ceiling		White colour temperature In different Kelvin values: Cold white, neutral white, warm white or extra warm white
	Swivel Fixture is horizontally rotatable, indicated in degrees		Curve Minimal bending curve in centimeters
	Swivel Fixture is vertically rotatable, indicated in degrees		Cutting length Indicated by the cutting marks
	Multiple connection Daisychain connectivity		LED pitch Pitch between the LEDs in millimeters
	Installation depth In centimeters		Power supply In VDC, VAC or milliAmpere
	Installation size In centimeters		Power consumption In VA or Watt
	Cable length Maximum cable attached to the fixture in centimeters		Dimmable 1-10 Volt, Phase, individual, DMX dimmable or DALI
	Driver Inclusive or exclusive Internal or external		PWM dimming Traditional PWM dimming, DMX analog or DMX Hybrid dim
	Weight In grams/kilograms		Bluetooth controlled By Casambi
	Pressure Maximum pressure on the fixture in kg/cm ²		Magno dimming Accurate dimming from 100 - 1% by using a magnet
	Lifespan Of the light source in hours		Dynamic Control Dynamic Power Control or Dynamic Temperature Control
	Lenses Available lenses, indicated in degrees		DMX input Fixture works on DMX512 protocol or Wireless DMX
	Performance Zoom Adjustable beam angle		Combined product Compose your own fixture
	LEDs Kind of LED used in the fixture		Warranty 3 or 5 years warranty on the product
	Plug & play Easy connection using the SmartConnect system		Conformité Européenne CE marking for free marketability of industrial goods within the EU
	IP value Ingress Protection classifies the degrees of protection provided against the intrusion of the product		Energy label
	Colour changing RGB, RGB-W, RGB-A, AWB or Tunable White		Lightsource Equipped with a CLS, Citizen or a Xicato LED module